

**MAGELLAN
CH51825**
CHANDELIERS

PROJECT



DESCRIPTION

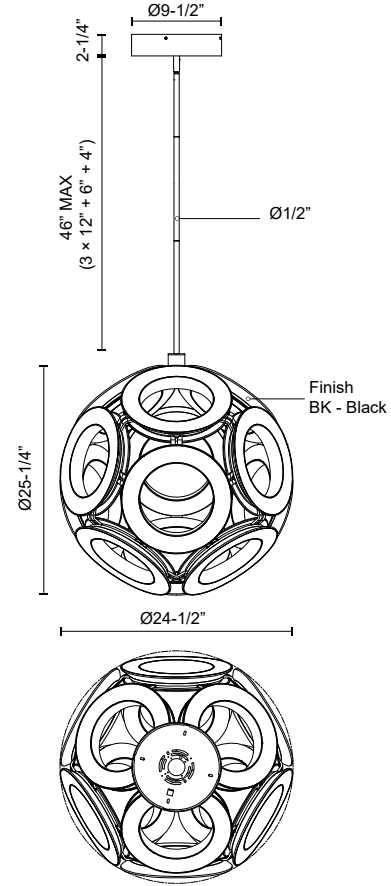
Large-scale statement piece, multiple direct acrylic disc and a hollow core. Fine textured dark metallic frame

SPECIFICATION DETAILS

Fixture Dimensions	D24-1/2" x H25-1/4"
Light Source	LED with DC Driver
Wattage	145W
Total Lumens	10625lm
Delivered Lumens	6750lm*
Voltage	120V
Color Temperature	3000K
CRI (Ra)	90CRI
Optional Color Temps	2700K - 5000K Available, Minimum Order Quantities Apply
LED Rated Life	50,000 hours
Dimming	100% - 10%, TRIAC or ELV Dimmer (Not Included)
Diffuser Details	Frosted acrylic diffuser
Adjustable	Yes
Rod Length	46" Max (3x12" + 1x6" + 1x4")
Wire Length	60"
Minimum Hang Height	36"
Sloped Ceiling Adaptable	Yes, Up to 45 Degrees
Location	Dry
Canopy Dimensions	D9-1/2" x H2-1/4"
Paint Finish	BK02
Finish Option(s)	Black

* For custom options, consult factory for details.

* For warranty information, please visit www.kuzcolighting.com/warranty



KUZCO

CANADA: 19054 28TH AVENUE - SURREY, BC V3Z 6M3
USA: 3035 E. LONE MOUNTAIN ROAD - LAS VEGAS, NV 89081

WWW.KUZCOLIGHTING.COM

© 2021 KUZCO LIGHTING. ALL RIGHTS RESERVED.

COMMENT

